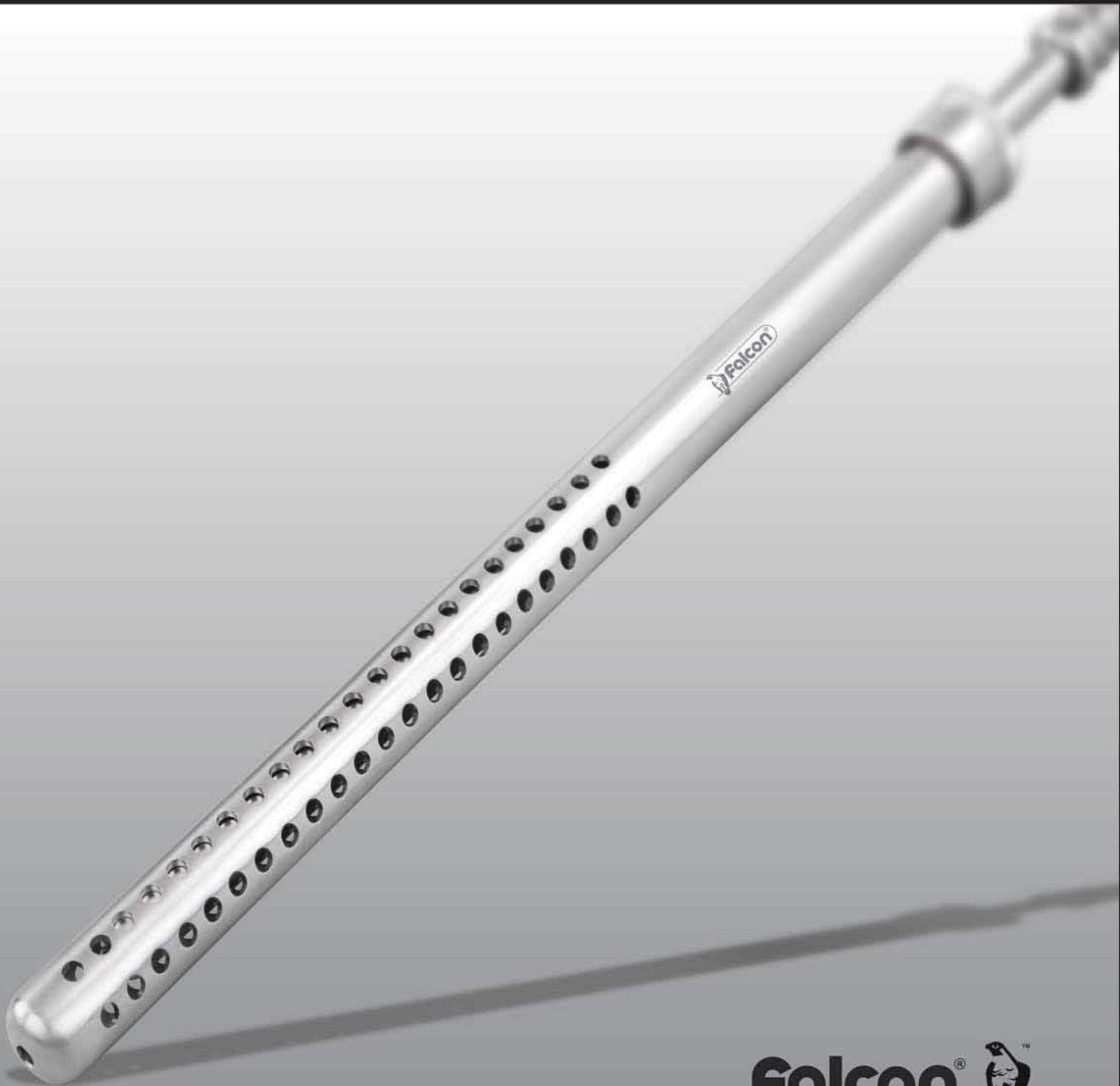


# B12

Suction tubes / Cannule per aspirazione / Tuby ssące



# B12

Suction and irrigating tubes  
Cannule per aspirazione e irrigazione  
Tuby ssące i irygacyjne



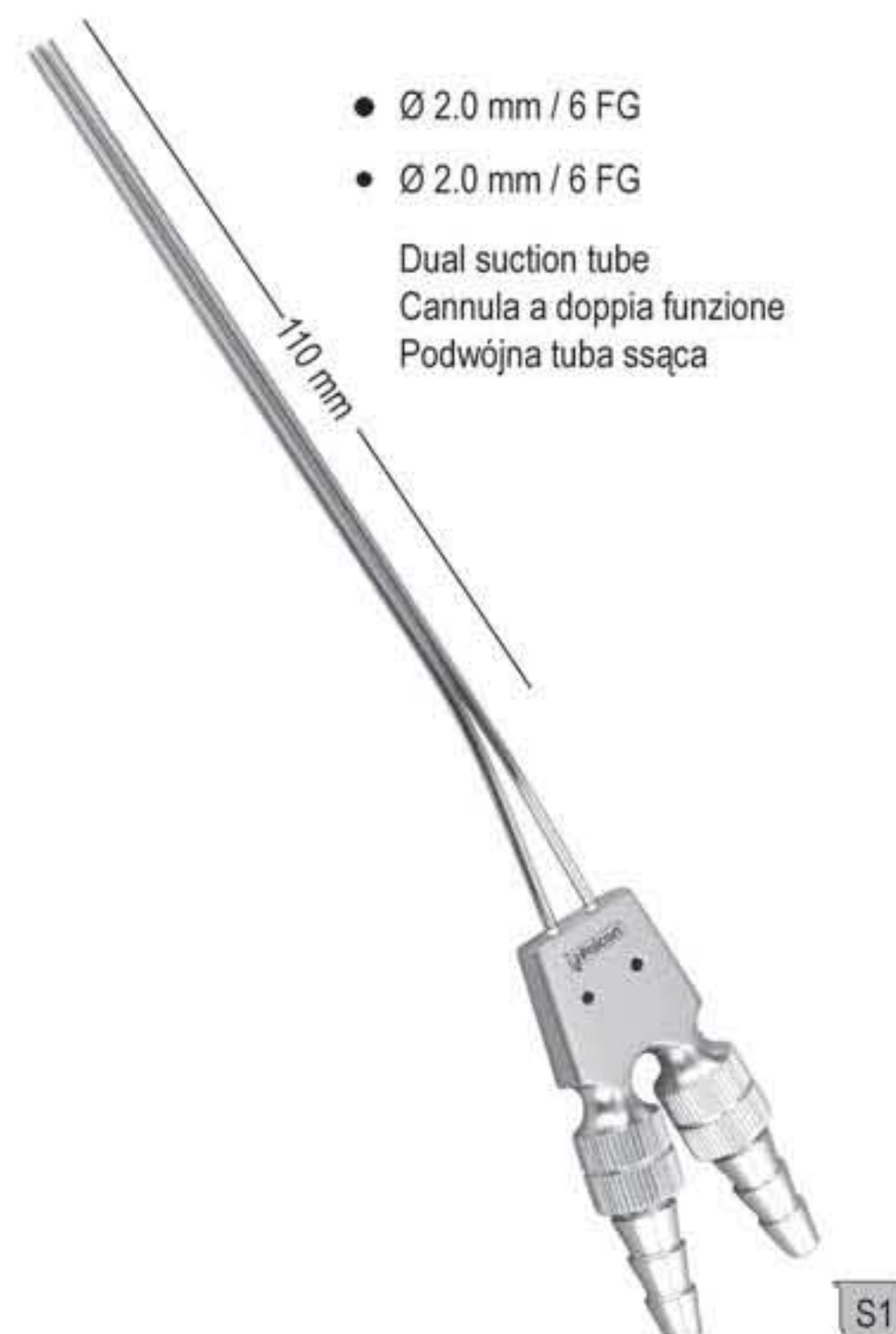
**Fisch**  
**BT.025.025**  
155 mm / 6 1/8"



**Fisch**  
**BT.030.025**  
240 mm / 9 1/2"



**House**  
**BT.040.015**  
160 mm / 6 1/4"



**Frazier-Plus**  
**BT.075.020**  
190 mm / 7 1/2"



**BT.100.009**  
Ø 0.9 mm (20 swg.)

**BT.100.006**  
Ø 0.6 mm (24 swg.)



**Schuhknecht**  
130 mm / 5 1/8"



●  
Ø 4.0 mm / 12 FG



**Adson**  
**BT.180.040**  
210 mm / 8 1/4"



●  
**BT.200.060** 180 mm / 7"  
**BT.202.060** 210 mm / 8 1/4"  
Ø 2.0 mm / 6 FG

●  
**BT.200.080** 180 mm / 7"  
**BT.202.080** 210 mm / 8 1/4"  
Ø 2.6 mm / 8 FG

●  
**BT.200.100** 180 mm / 7"  
**BT.202.100** 210 mm / 8 1/4"  
Ø 3.3 mm / 10 FG

●  
**BT.200.120** 180 mm / 7"  
**BT.202.120** 210 mm / 8 1/4"  
Ø 4.0 mm / 12 FG



**Frazier**



●  
**BT.220.015**  
Ø 1.5 mm / 5 FG

●  
**BT.220.020**  
Ø 2.0 mm / 6 FG

●  
**BT.220.025**  
Ø 2.5 mm / 7 FG

●  
**BT.220.030**  
Ø 3.0 mm / 9 FG



**Plester**  
190 mm / 7 1/2"



●  
**BT.230.060**  
Ø 2.0 mm / 6 FG

●  
**BT.230.080**  
Ø 2.6 mm / 8 FG

●  
**BT.230.100**  
Ø 3.3 mm / 10 FG

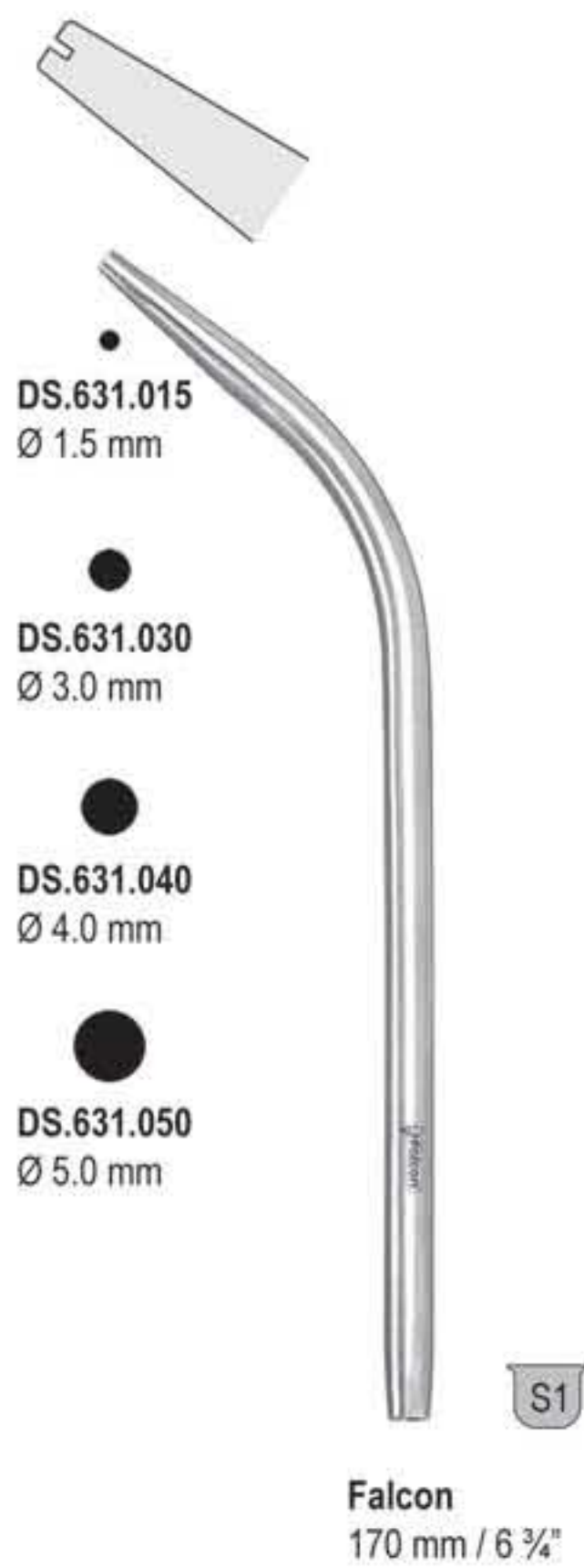
●  
**BT.230.120**  
Ø 4.0 mm / 12 FG



**Fergusson / Poppen**  
160 mm / 6 1/4"

# B12

Suction tubes  
Cannule per aspirazione  
Tuby ssące

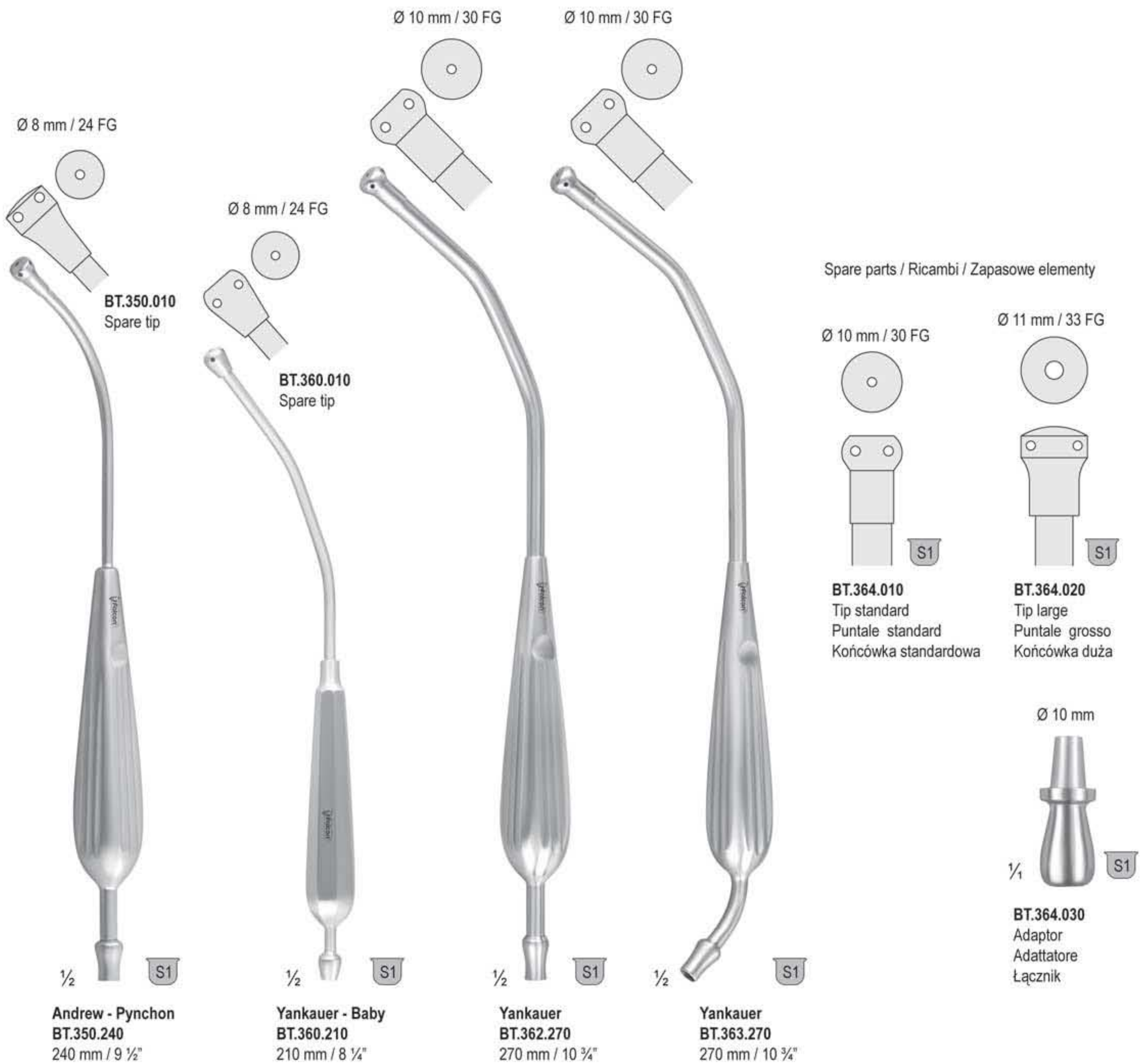


Falcon suction tubes have notch at working end to prevent premature suction

Le cannule per aspirazione Falcon hanno un dispositivo per prevenire l' aspirazione prematura

Tuby ssące posiadają nacięcie na końcówce dla uniknięcia przedwczesnego ssania

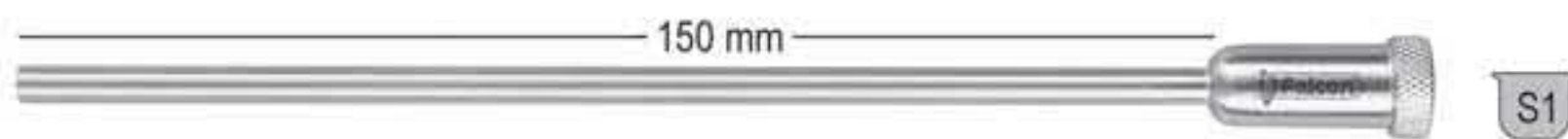




Complete with standard suction tip and adaptor  
Completa di puntale e adattatore  
Kompletne ze standardową końcówką ssącą i łącznikiem

# B12

Suction tubes  
Cannule per aspirazione  
Tuby ssące



Suction tubes  
Cannule per aspirazione  
Tuby ssące

- **BT.430.030** 180 mm / 7"  
Ø 3 mm / 9 FG
- **BT.430.040** 180 mm / 7"  
Ø 4 mm / 12 FG
- **BT.430.050** 180 mm / 7"  
Ø 5 mm / 15 FG

**Cone**  
**BT.430.000**  
Complete with handle and  
3 suction tubes

Tre cannule peer aspirazione  
complete di manico

Komplet zawiera uchwyt i  
3 tuby ssące



Suction tube's handle  
Manico per cannule di aspirazione  
Uchwyt do tub ssących

**BT.430.115**  
115 mm / 4 ½"

Ø 10 mm / 30 FG



**BT.470.255**  
Brass chrome plated  
Ottone cromato  
Mosiądz pokryty chromem

**BT.471.255**  
Stainless steel  
Acciaio inox  
Stal nierdzewna

**Simpson - Smith (Tinckler)**  
255 mm / 10"

**Falcon Medical Italia Srl.**

**Office address / Sede operativa:**

Via S. Donato, 2045  
55100 Lucca, Italy  
tel: +39 0583 490459  
+39 0583 511023  
fax: +39 0583 463628  
info@falconmedical.it  
www.falconmedical.it

**Legal address / Sede legale:**

Via dei Bichi, 340  
55100 S. Marco, Lucca - Italy